

DRA18 SERIES



AC - DC DIN RAIL MOUNTABLE
18W CLASS 2 POWER SUPPLY
INDUSTRIAL CONTROL EQUIPMENT

FEATURES

- UL / cUL / TUV / CE
- UNIVERSAL INPUT 90~265VAC
- HIGH EFFICIENCY UP TO 77%
- SHORT CIRCUIT PROTECTION
- INTERNAL INPUT FILTER
- 2 YEARS WARRANTY

MODEL LIST

MODEL NO.	INPUT VOLTAGE	OUTPUT WATTAGE	OUTPUT VOLTAGE	OUTPUT CURRENT	EFF. (min.)	EFF. (typ.)
Single Output Models						
DRA18-05A	90~265 VAC	15 WATTS	+ 5 VDC	3000 mA	73%	75%
DRA18-12A	90~265 VAC	18 WATTS	+ 12 VDC	1500 mA	75%	77%
DRA18-15A	90~265 VAC	18 WATTS	+ 15 VDC	1200 mA	75%	77%
DRA18-24A	90~265 VAC	18 WATTS	+ 24 VDC	750 mA	75%	77%

SPECIFICATION

All Specifications Typical At Nominal Line, Full Load, 25°C Unless Otherwise Noticed

GENERAL						
Characteristics	Conditions		min.	typ.	max.	unit
Switching frequency	Vi nom, Io nom		100			KHz
Isolation voltage	Input / Output		3,000			VAC
Isolation resistance	Input / Output, @ 500VDC		100			MΩ
Ambient temperature	Operating at Vi nom		-10		+ 71	°C
Derating	Vi nom, from +61°C to +71°C				3	% / °C
Storage temperature	Non operational		-25		+ 85	°C
Relative humidity	Vi nom, Io nom		20		95	% RH
Dimension	L90 x W22.5 x D115					mm
Cooling	Free air convection					
Case material	Plastic					
INPUT SPECIFICATIONS						
Characteristics	Conditions		min.	typ.	max.	unit
Rated input voltage	Io nom		100		240	VAC
Input voltage range	Ta min ... Ta max, Io nom	AC in	90		265	VAC
		DC in	120		370	VDC
Line frequency	Vi nom, Io nom		47		63	Hz
Inrush current	Io nom	Vi : 115VAC			10	A
		Vi : 230VAC			18	A

SPECIFICATION

All Specifications Typical At Nominal Line, Full Load, 25°C Unless Otherwise Noticed

OUTPUT SPECIFICATIONS

Characteristics	Conditions	min.	typ.	max.	unit
Output voltage accuracy	V_i nom, lo min ...lo nom			± 1	%
Minimum load	V_i nom	0			%
Line regulation	lo nom, V_i min ... V_i max			± 1	%
Load regulation	V_i nom, lo min ...lo nom			± 2	%
Transient recovery time	50% load step changed		300		μ S
Temperature coefficient	V_i nom, lo min			± 0.02	% / °C
Ripple & noise	V_i nom, lo nom, BW = 20MHz			50	mV
Hold up time	lo nom	$V_i = 115$ VAC	20		ms
		$V_i = 230$ VAC	75		ms
Voltage trim range	V_i nom, lo nom	5V ...15V models	- 10	+ 15	%
		24V model	- 10	+ 20	%
DC ON indicator threshold at start up	V_i nom, lo nom	5V model	4.5		VDC
		12V model	10.8		VDC
		15V model	13.5		VDC
		24V model	21.6		VDC
DC LOW indicator threshold after start up	V_i nom, lo nom	5V model	3.75	4.5	VDC
		12V model	9	10.8	VDC
		15V model	11.25	13.5	VDC
		24V model	18	21.6	VDC
Efficiency	V_i nom, lo nom, P_o / P_i	Up to 77%, See model list			

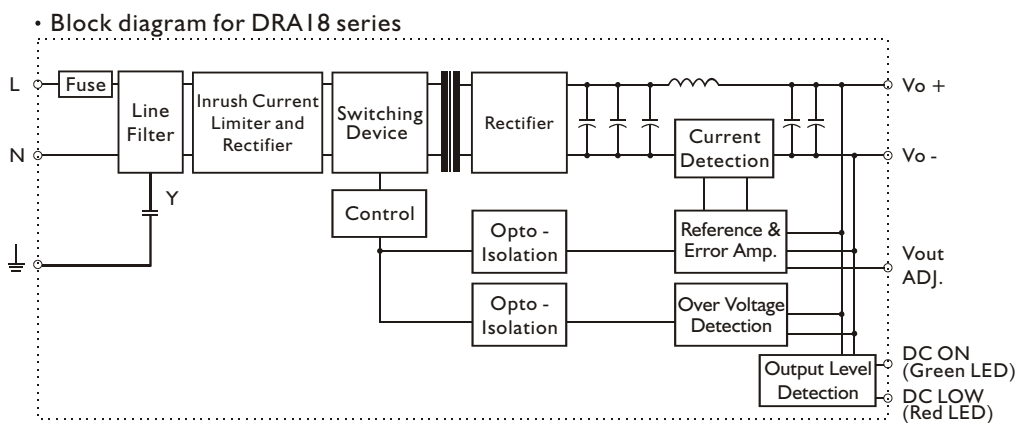
CONTROL AND PROTECTION

Characteristics	Conditions	min.	typ.	max.	unit
Input fuse		T2A / 250VAC internal			
Rated over load protection	V_i nom	110		135	%
Over voltage protection	V_i nom, lo nom	125		145	%
Output short circuit	V_i nom, lo nom	Hiccup mode			

APPROVALS AND STANDARDS

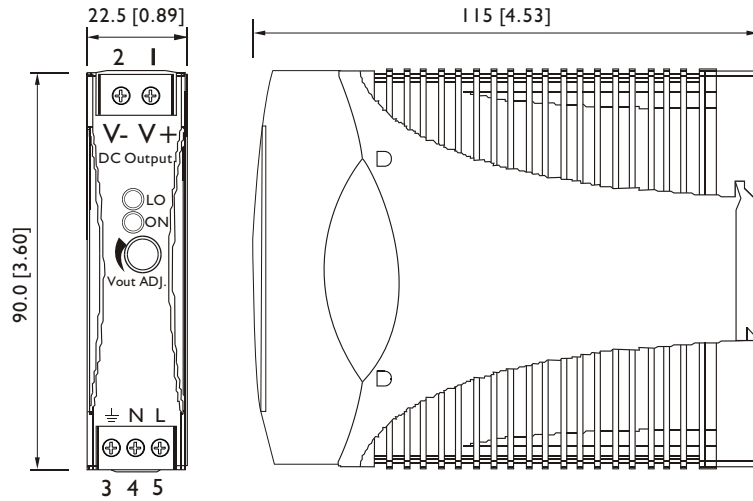
UL / cUL	UL508 Listed UL60950-1, UL1310 Class 2 Power Supply Recongized
TUV	EN60950-1
CE	EN50081-1 / EN55022 Class B, EN61000-3-2, EN61000-3-3 EN50082-1 / EN55024

CIRCUIT SCHEMATIC



MECHANISM & PIN CONFIGURATION

mm [inch]



CONSTRUCTION

Easy snap-on mounting onto the DIN-Rail (TS35/7.5 or TS35/15), unit sits safely and firmly on the rail; no tools required even to remove

INSTALLATION

Ventilation / Cooling
 Normal convection
 All sides 25mm free space
 For cooling recommended
 Connector size range
 Solid: 0.2-2.0mm² (AWG24-14)
 (use copper conductors only)

PHYSICAL CHARACTERISTICS

CASE SIZE	90 x 22.5 x 115 mm 3.6 x 0.89 x 4.53 inches
CASE MATERIAL	Plastic
WEIGHT	150 g

PIN ASSIGNMENT

PIN NO.		Designation	Description
1	OUT	V +	Positive output terminal
2		V -	Negative output terminal
3	IN	⊕	Ground this terminal to minimize high-frequency emissions
4		N	Input terminals (neutral conductor, no polarity at DC input)
5		L	Input terminals (phase conductor, no polarity at DC input)
	OTHER	ON	Operation indicator LED
		LO	DC LOW indicator LED
		Vout ADJ.	Trimmer-potentiometer for Vout adjustment

DERATING

